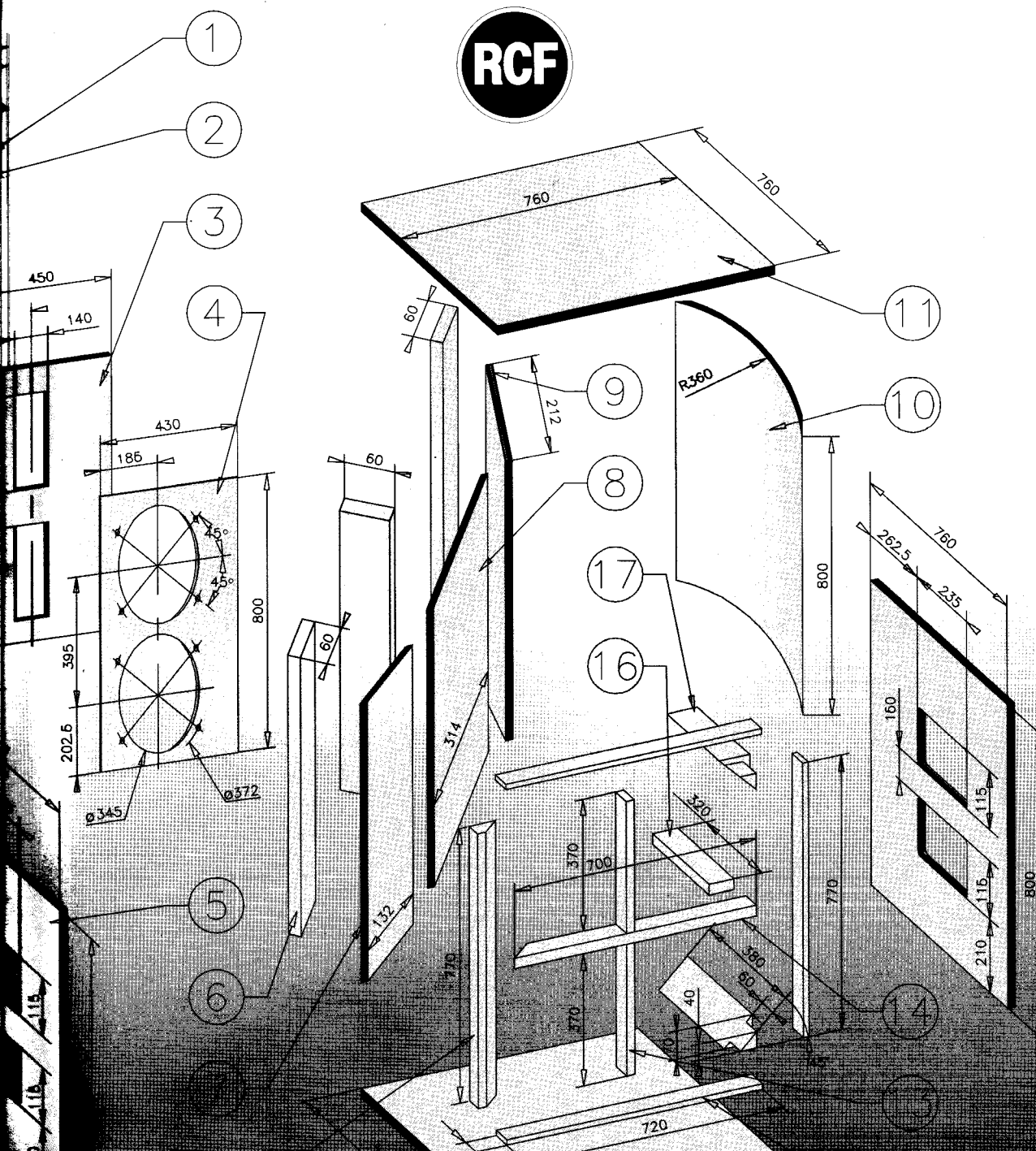
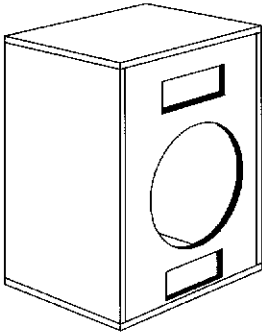


KITS/2

Components, designs and specifications



KIT 250N



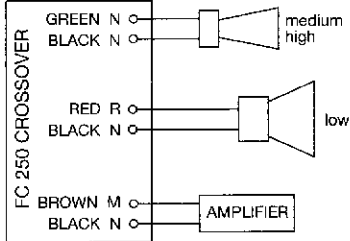
SPECIFICATIONS

Power:	250/125 W
Type:	Two-way
Frequency Response:	40 - 20,000 Hz
Sensitivity:	100 dB/W/m
Impedance:	8 Ohms
Max Sound Pressure Level:	124 dB SPL
Crossover Frequency:	4 kHz
Suggested Amplifier:	150 W

SPEAKERS AND CROSSOVERS USED

Low:	L 12/565K
High:	N 255N
Crossover:	FC 250

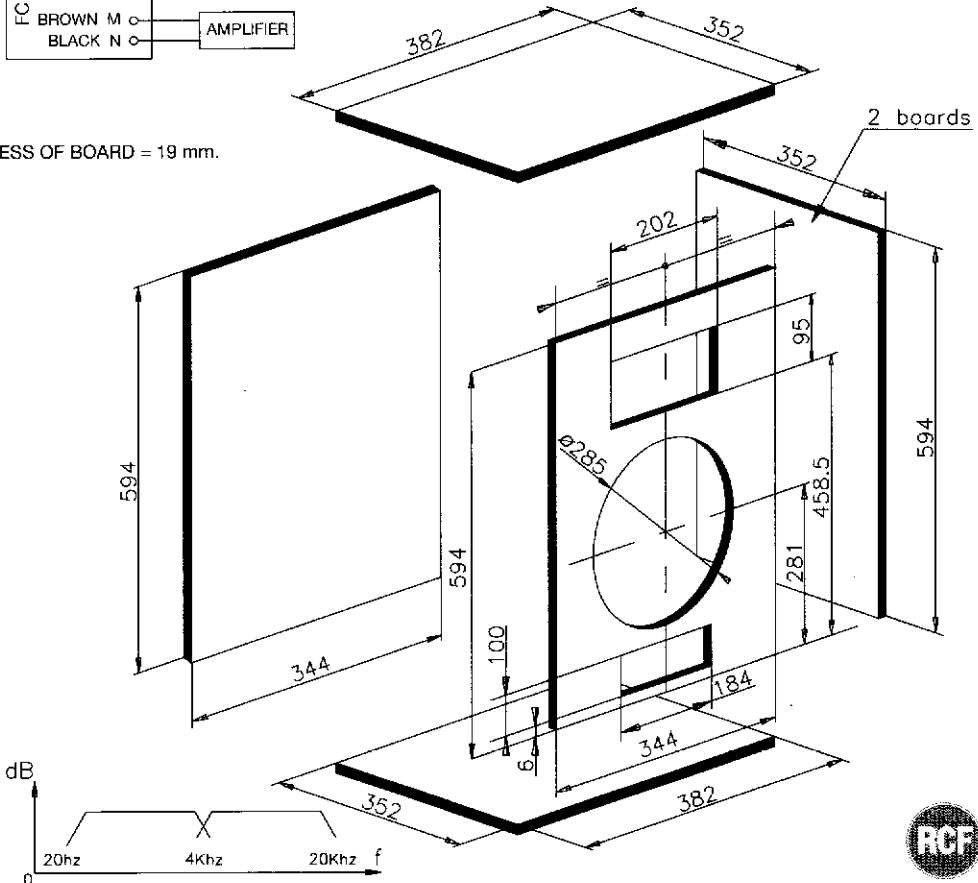
CROSSOVER WIRING



ENCLOSURE CONSTRUCTION

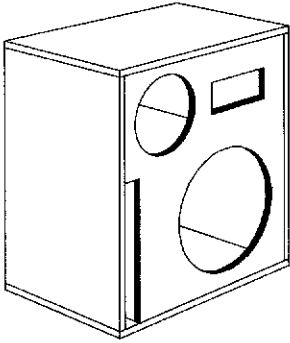
- Assembly: glue or screws
- Line inside with glass wool.

THICKNESS OF BOARD = 19 mm.



Pro Sound

KIT 500N



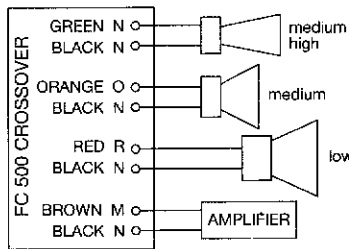
SPECIFICATIONS

Power: 500/250 W
 Type: Three-way
 Frequency Response: 30 - 20,000 Hz
 Sensitivity: 100 dB/W/m
 Impedance: 8 Ohms
 Max Sound Pressure Level: 127 dB SPL
 Crossover Frequency: 350 - 5,000 Hz
 Suggested Amplifier: 300 W

LOUDSPEAKERS AND CROSSOVERS USED

Low: L 15/542/K
 Medium: L 10/561K
 High: N 255N
 Crossover: FC 500

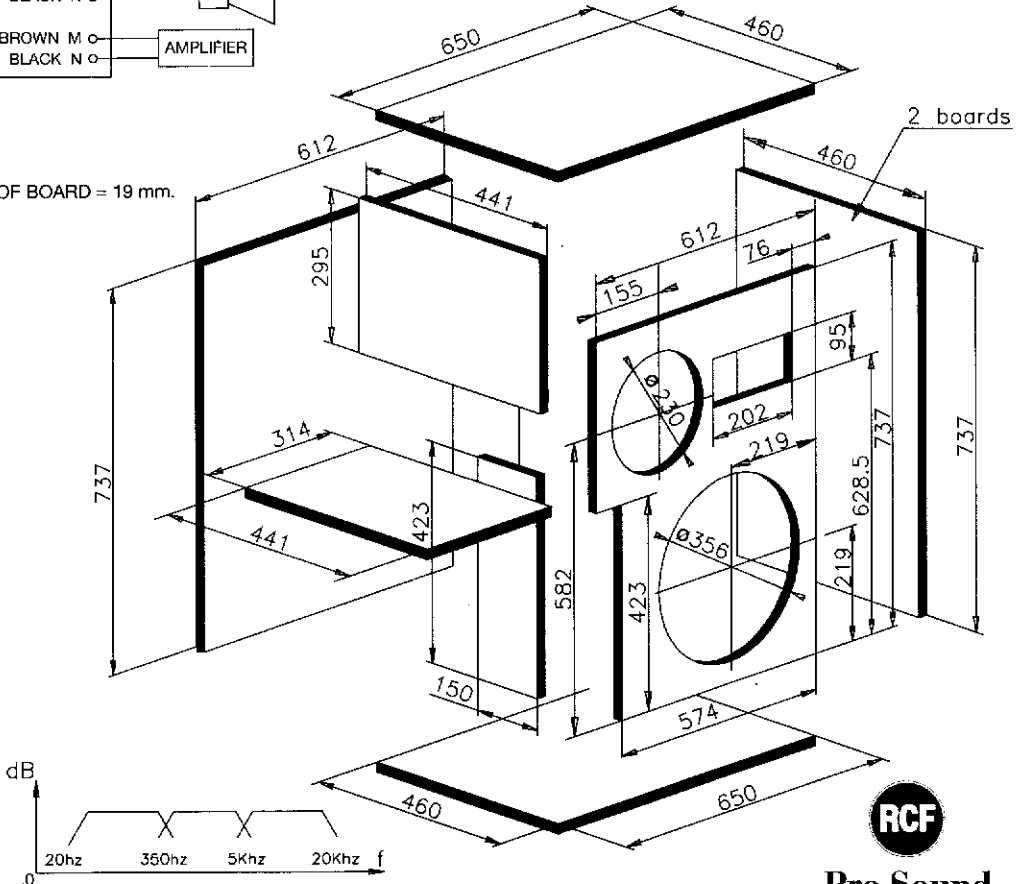
CROSSOVER WIRING



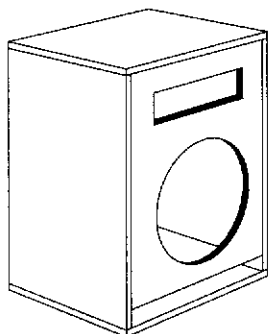
ENCLOSURE CONSTRUCTION

- Assembly: glue or screws
- Line inside with glass wool
- Ensure internal reinforcement against vibration.

THICKNESS OF BOARD = 19 mm.



KIT 600N



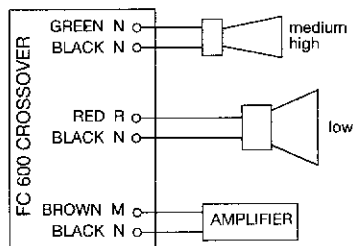
SPECIFICATIONS

Power:	600/300 W
Type:	Two-way
Frequency Response:	45 - 20,000 Hz
Sensitivity:	100 dB/W/m
Impedance:	8 Ohms
Max Sound Pressure Level:	128 dB SPL
Crossover Frequency:	1,6 KHz
Suggested Amplifier:	350 W

SPEAKERS AND CROSSOVERS USED

Low:	L 15/554K
Medium/High:	N 482
Horn:	H 9041
Crossover:	FC 600

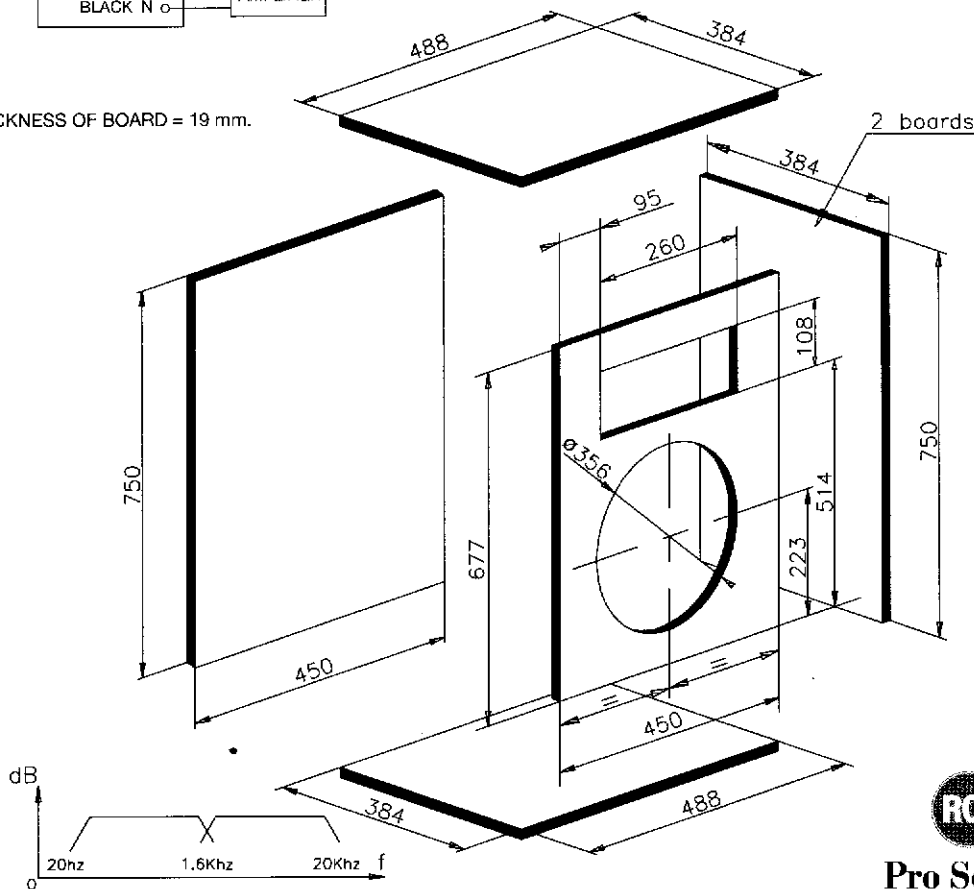
CROSSOVER WIRING



ENCLOSURE CONSTRUCTION

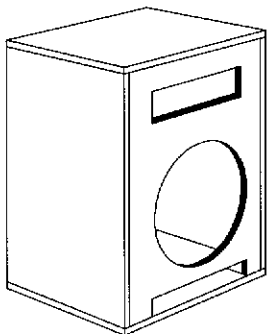
- Assembly: glue or screws
- Line inside with glass wool.
- Ensure internal reinforcement against vibration.

THICKNESS OF BOARD = 19 mm.



Pro Sound

KIT 800N



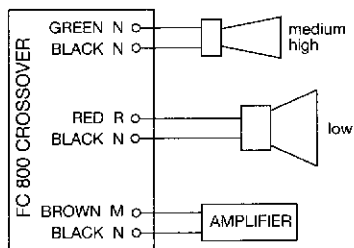
SPECIFICATIONS

Power:	800/400 W
Type:	Two-way
Frequency Response:	40 - 19,000 Hz
Sensitivity:	89 dB/W/m
Impedance:	8 Ohms
Max Sound Pressure Level (dB):	128 dB SPL
Crossover Frequency:	1,2 kHz
Suggested Amplifier:	450 W

SPEAKERS AND CROSSOVERS USED

Low:	L 15P 200AK
Medium/High/	N 481K
High:	H 9041
Crossover:	FC 800

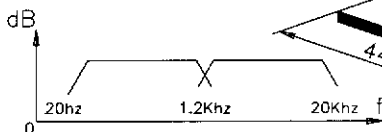
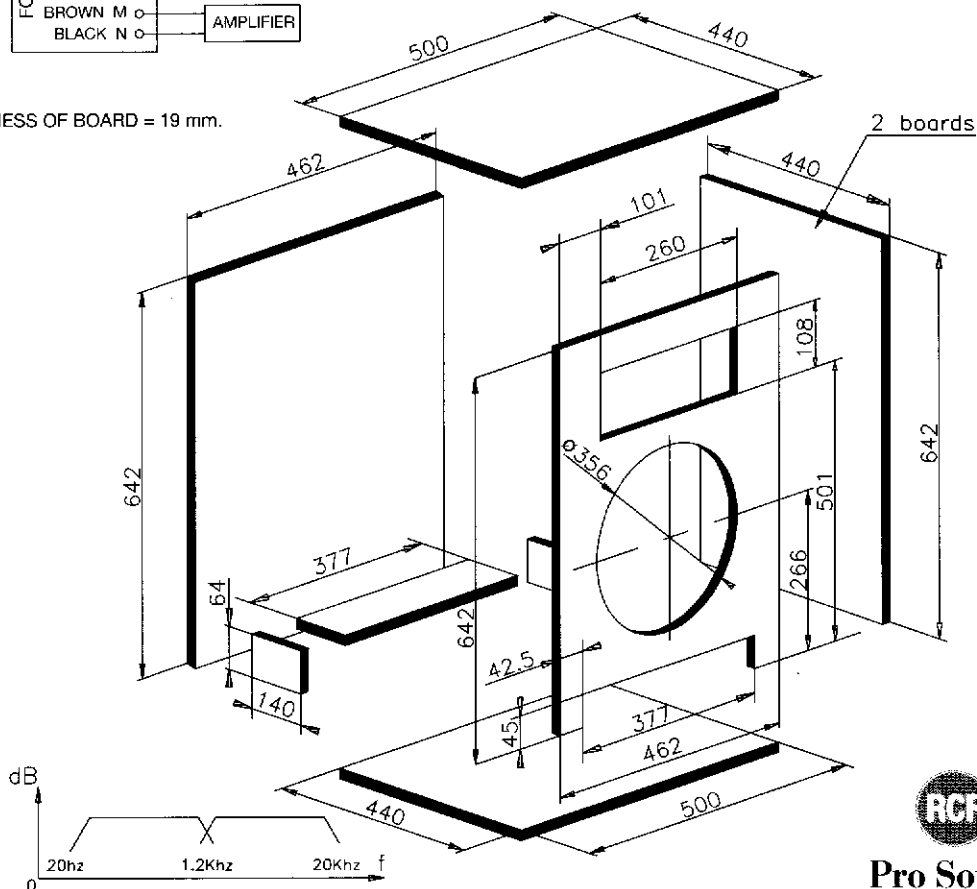
CROSSOVER WIRING



ENCLOSURE CONSTRUCTION

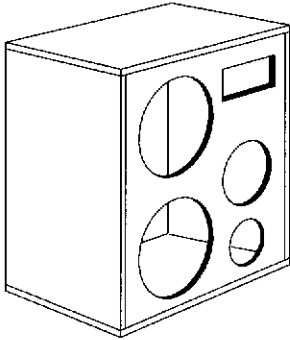
- Assembly: glue or screws
- Line inside with glass wool.
- Ensure internal reinforcement against vibration.

THICKNESS OF BOARD = 19 mm.



Pro Sound

KIT 1000N



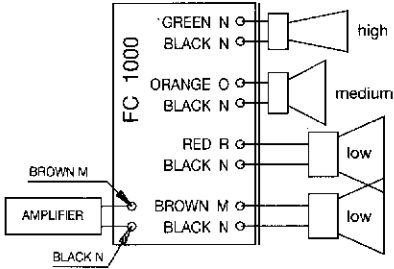
SPECIFICATIONS

Power:	1000/500 W
Type:	Two-way
Frequency Response:	30 - 20,000 Hz
Sensitivity:	103 dB/W/m
Impedance:	4 Ohms
Max Sound Pressure Level:	130 dB SPL
Crossover Frequency:	400 Hz - 4 kHz
Suggested Amplifier:	500 W

SPEAKERS AND CROSSOVERS USED

Low:	2 L 15/542K
Medium:	L 10/750YK
High:	N 481K
Horn:	H 9041
Crossover:	FC 1000

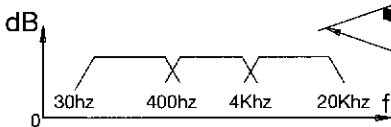
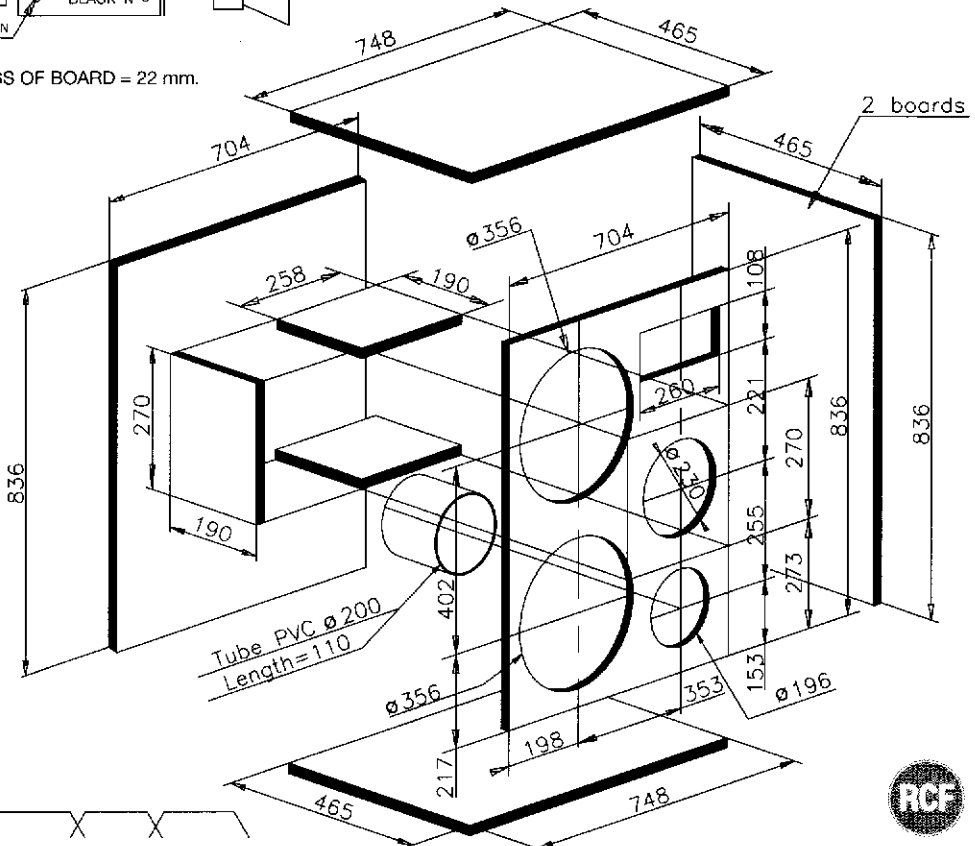
CROSSOVER WIRING



THICKNESS OF BOARD = 22 mm.

ENCLOSURE CONSTRUCTION

- Assembly: glue or screws
- Ensure internal reinforcement against vibration.
- Line inside with glass wool.
- Make sure mid-box is airtight.



Pro Sound

KIT 1300N

SPECIFICATIONS

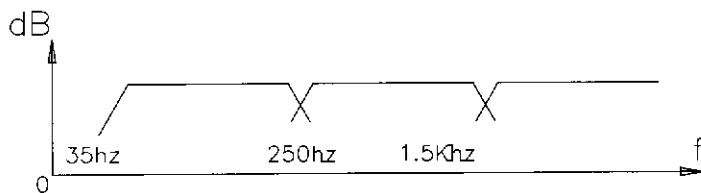
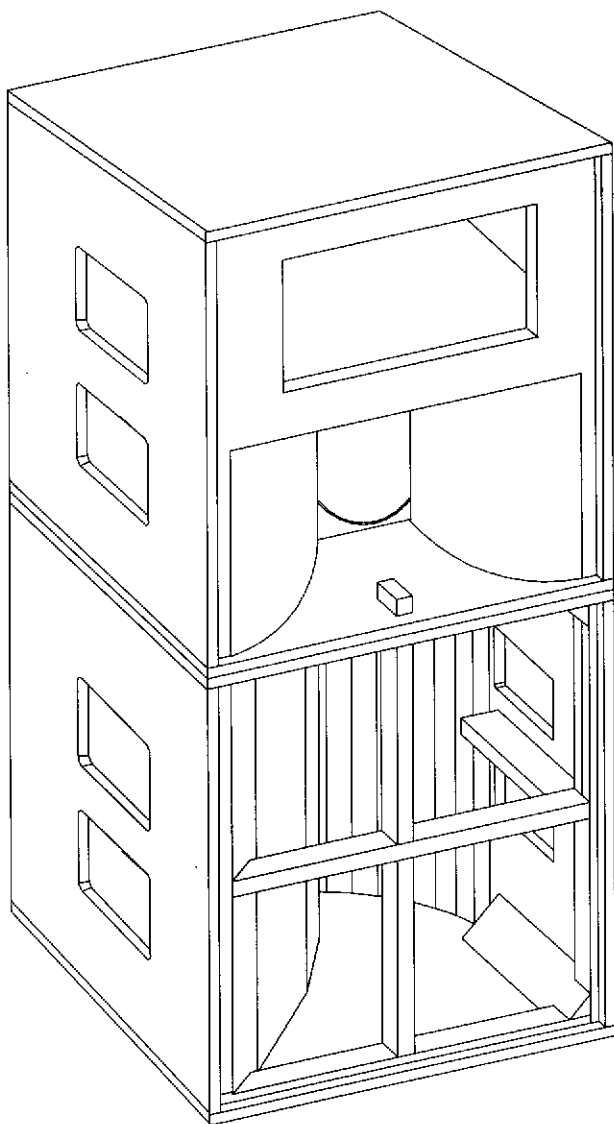
Power:	1300/650 W
Type:	Three-way
Frequency Response:	45 - 18,000 Hz
Sensitivity:	109 dB/W/m
Angle of coverage:	90° horiz. 40° vert.
Max Sound Pressure Level:	138 dB SPL
Crossover Frequency:	(18 dB/oct)
LF:	35 Hz
MID:	250 Hz
HF:	1.5 kHz
Low power:	800/400 W
Mid power:	300/150 W
High power:	250//100 W
Impedance LF:	4 Ohms
Impedance MID:	8 Ohms
Impedance HF:	8 Ohms

SPEAKERS AND CROSSOVERS USED

Low section:	2 L 15/554K
Medium section:	L 12P110K
High section:	N 980 Ø 2"
Horn:	H 6040
Crossover:	FC 1300
	Active or Passive

ENCLOSURE CONSTRUCTION

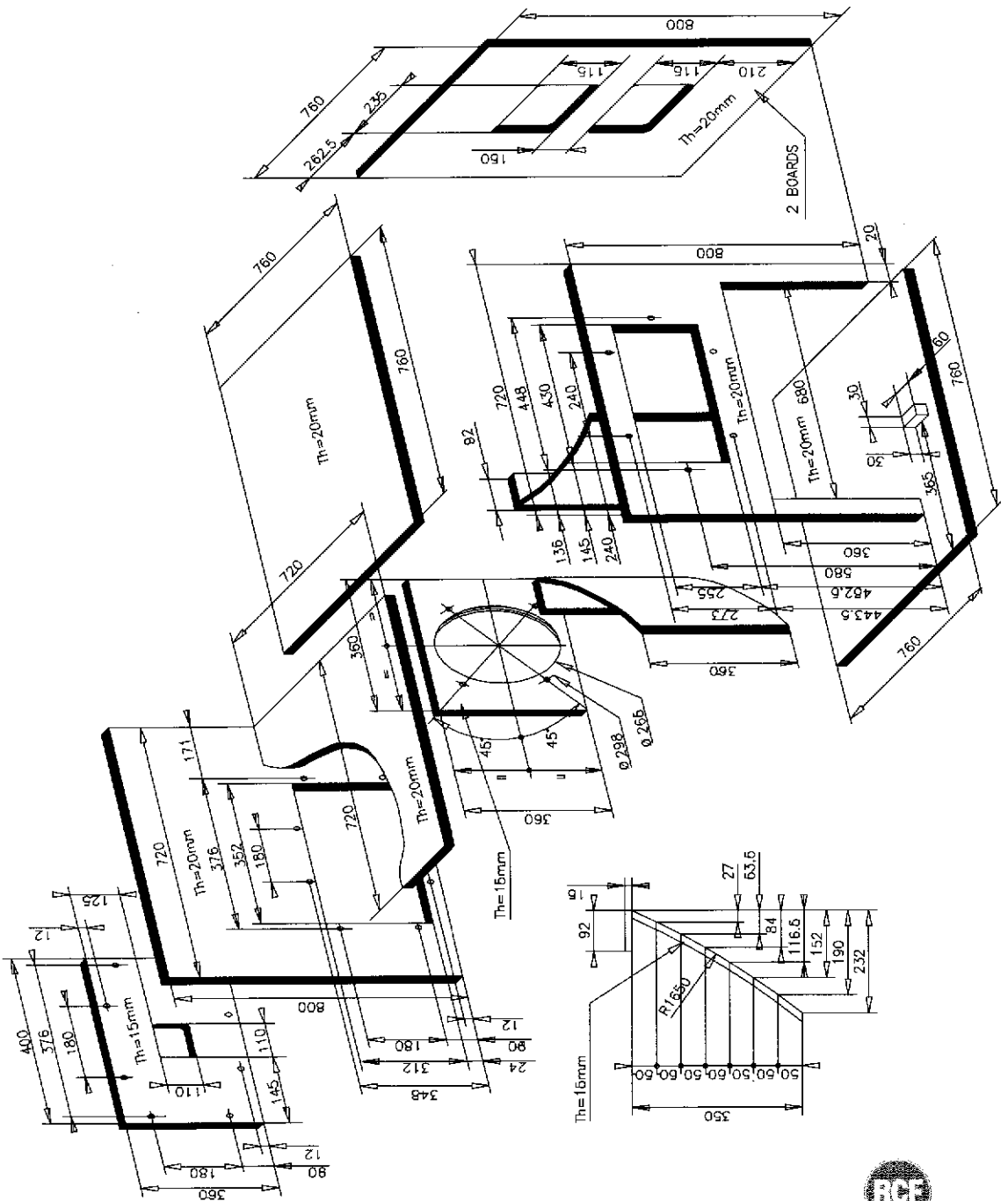
- 1 Low Section
- 1 Mid/High Section



Pro Sound

KIT 1300N

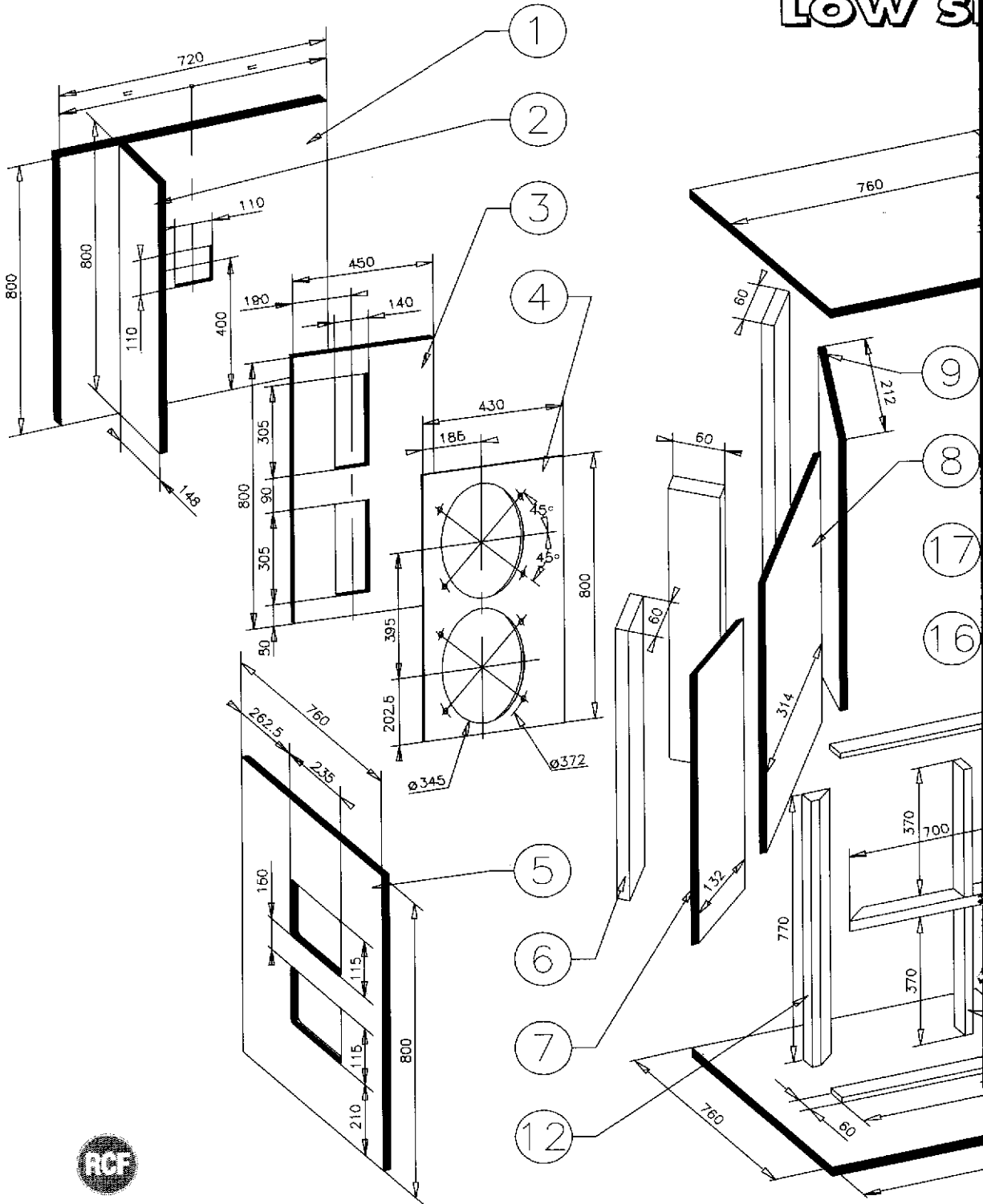
MEDIUM SECTION



Pro Sound

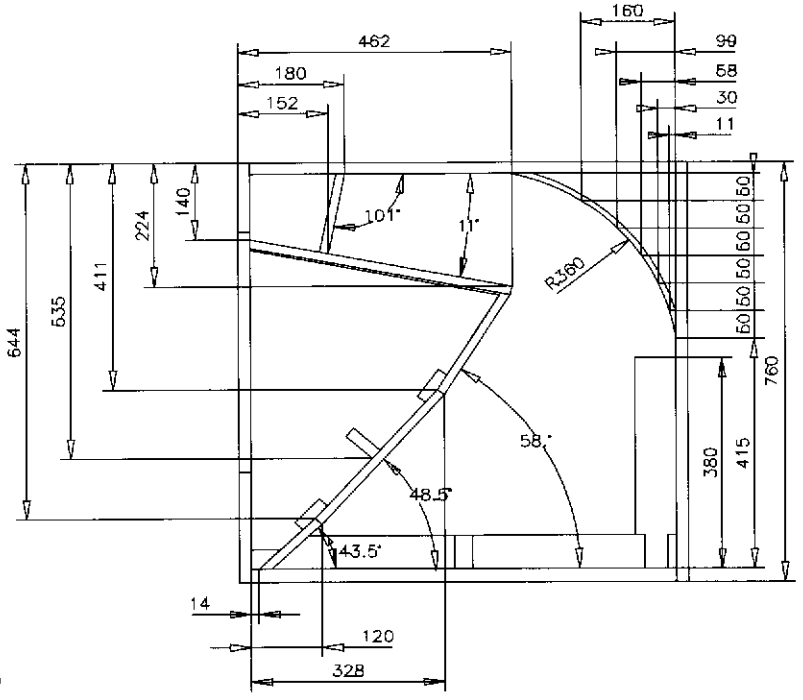
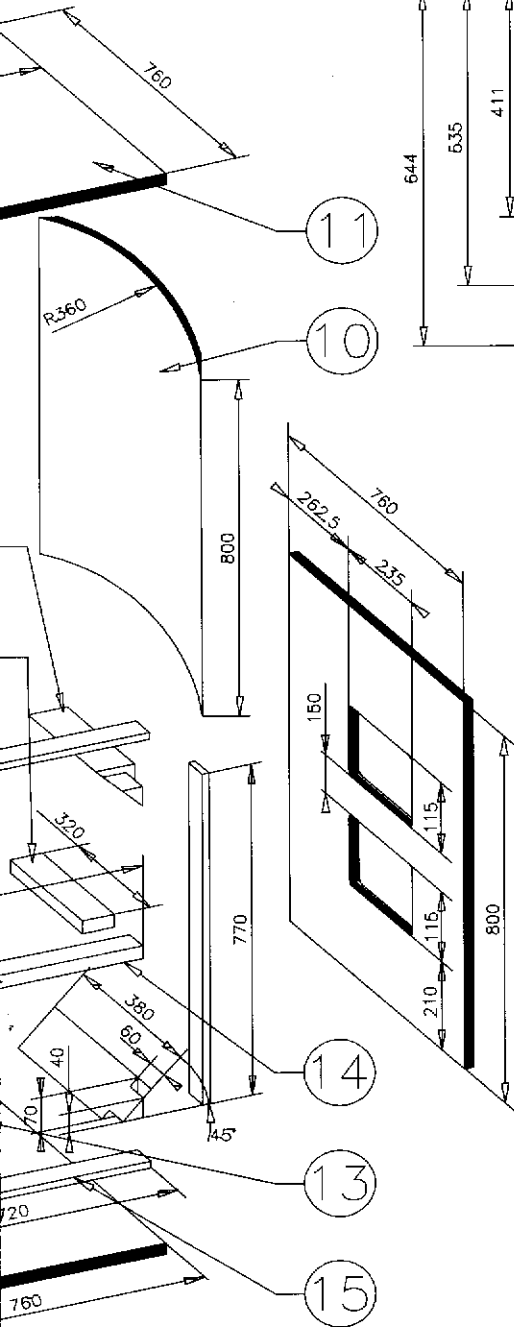
KIT 19

LOW S



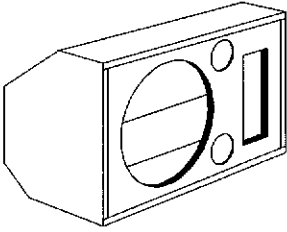
Pro Sound

BOON SECTION



17	380x70x70	2
16	320x60x30	1
15	720x60x15	2
14	700x60x30	1
13	370x60x30	2
12	770x50x20	1
11	760x760x20	2
10	800x430x15	1
9	800x212x15	1
8	800x314x15	1
7	800x132x15	1
6	800x60x20	3
5	800x760x20	2
4	800x400x4	1
3	800x425x15	1
2	800x148x15	1
1	800x720x20	1
REP	DIMENSIONS	QUANTITY

KIT 250SM



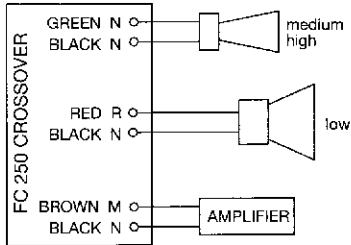
SPECIFICATIONS

Power:	250/125 W
Type:	Two-way
Frequency Response:	40 - 20,000 Hz
Sensitivity:	100 dB/W/m
Impedance:	8 Ohms
Max Sound Pressure Level:	124 dB SPL
Crossover Frequency:	4 kHz
Suggested Amplifier:	150 W

LOUDSPEAKERS AND CROSSOVERS USED

Low:	L 12/565K
High:	N 255N
Crossover:	FC 250

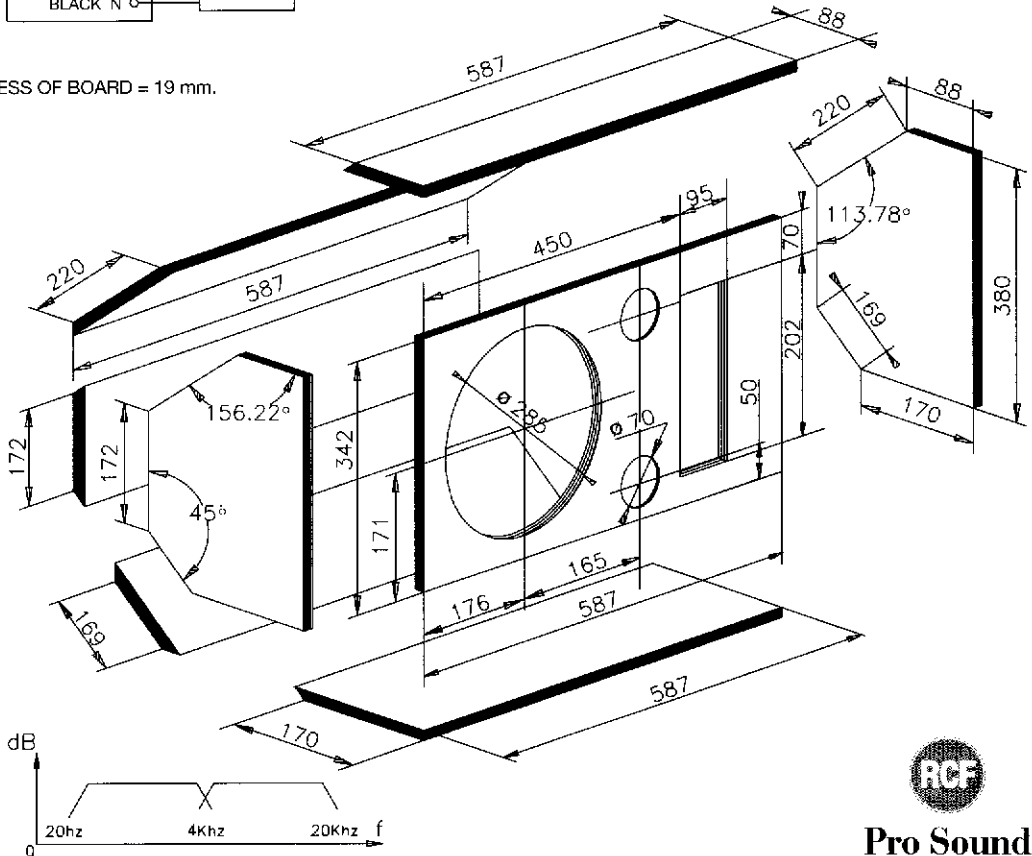
CROSSOVER WIRING



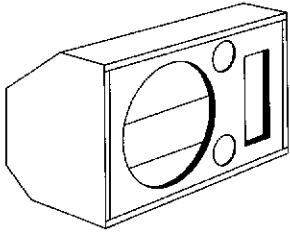
ENCLOSURE CONSTRUCTION

- Assembly: glue or screws
- Line inside with glass wool.

THICKNESS OF BOARD = 19 mm.



KIT 600SM



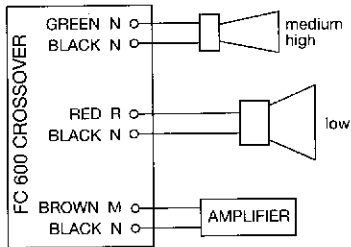
SPECIFICATIONS

Power:	600/300 W
Type:	Two-way
Frequency Response:	45 - 20,000 Hz
Sensitivity:	100 dB/W/m
Impedance:	8 Ohms
Max Sound Pressure Level:	128 dB SPL
Crossover Frequency:	1,6 kHz
Suggested Amplifier:	350 W

SPEAKERS AND CROSSOVERS USED

Low:	L 15/554K
Medium/High:	N 482
Crossover:	FC 600

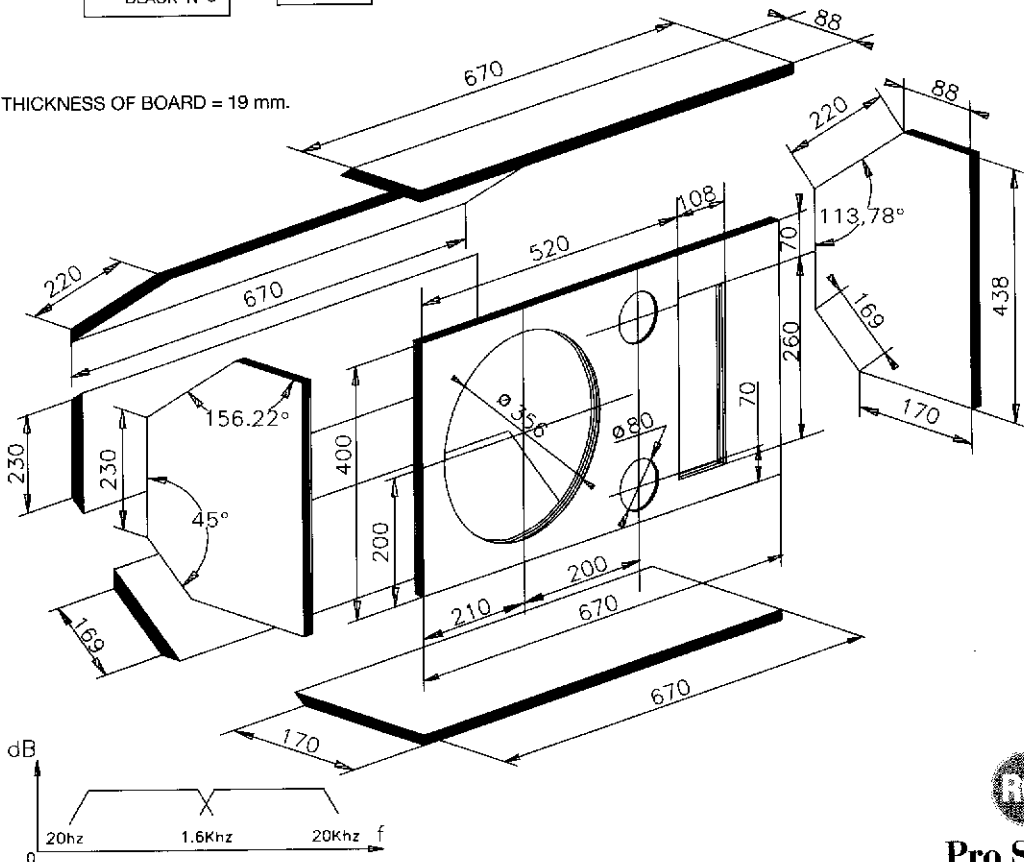
CROSSOVER WIRING



ENCLOSURE CONSTRUCTION

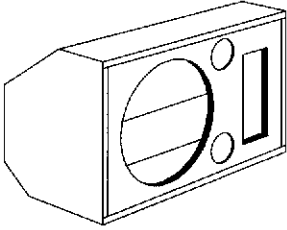
- Assembly: glue or screws
- Line inside with glass wool.
- Ensure internal reinforcement against vibration.

THICKNESS OF BOARD = 19 mm.



Pro Sound

KIT 250SM



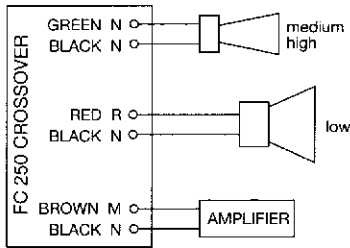
SPECIFICATIONS

Power:	250/125 W
Type:	Two-way
Frequency Response:	40 - 20,000 Hz
Sensitivity:	100 dB/W/m
Impedance:	8 Ohms
Max Sound Pressure Level:	124 dB SPL
Crossover Frequency:	4 kHz
Suggested Amplifier:	150 W

LOUDSPEAKERS AND CROSSOVERS USED

Low:	L 12/565K
High:	N 255N
Crossover:	FC 250

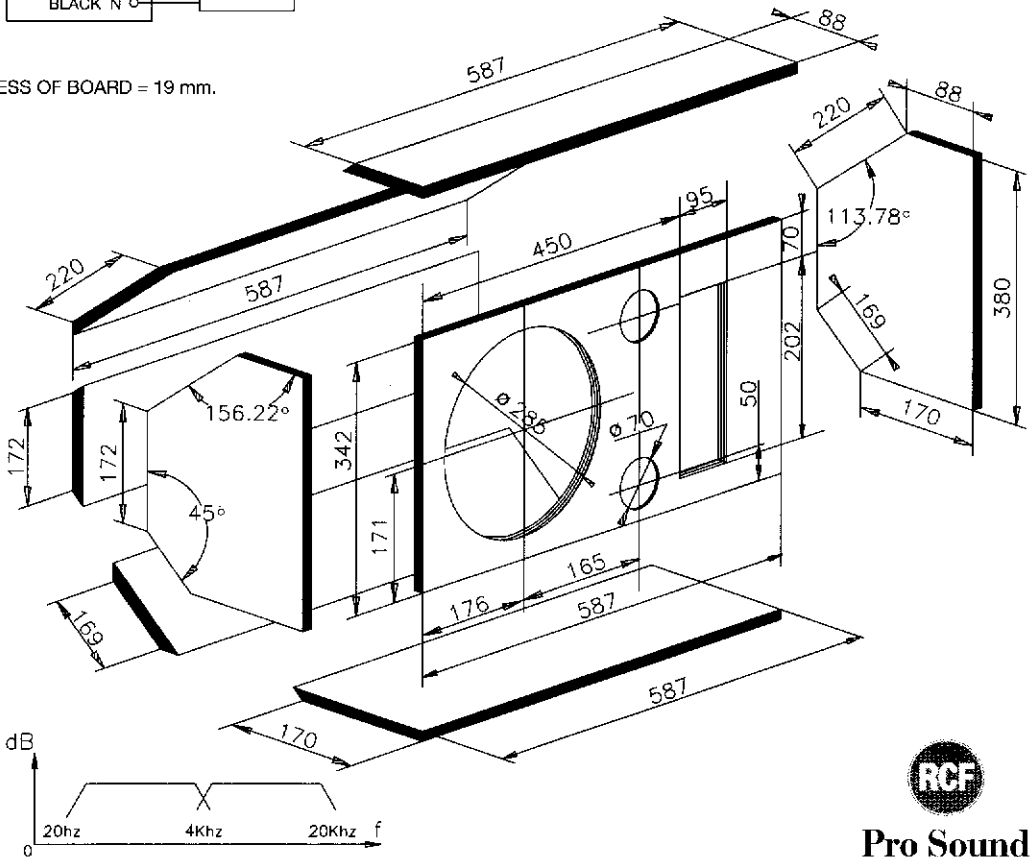
CROSSOVER WIRING



ENCLOSURE CONSTRUCTION

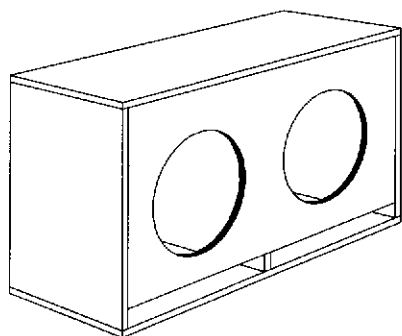
- Assembly: glue or screws
- Line inside with glass wool.

THICKNESS OF BOARD = 19 mm.

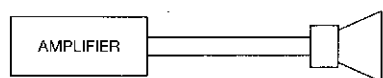


Pro Sound

KIT 1502 SUBWOOFER



CROSSOVER WIRING



Wire directly

SPECIFICATIONS

Power: 1600/800 W
 Type: One-way
 Frequency Response: 35 - 2,000 Hz
 Sensitivity: 101 dB/W/m
 Impedance: 4 or 2x8 Ohms
 Max Sound Pressure Level: 129 dB SPL
 Crossover Frequency: 150 Hz
 Suggested Amplifier: 800 W 4 Ω

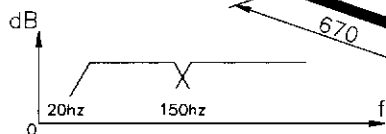
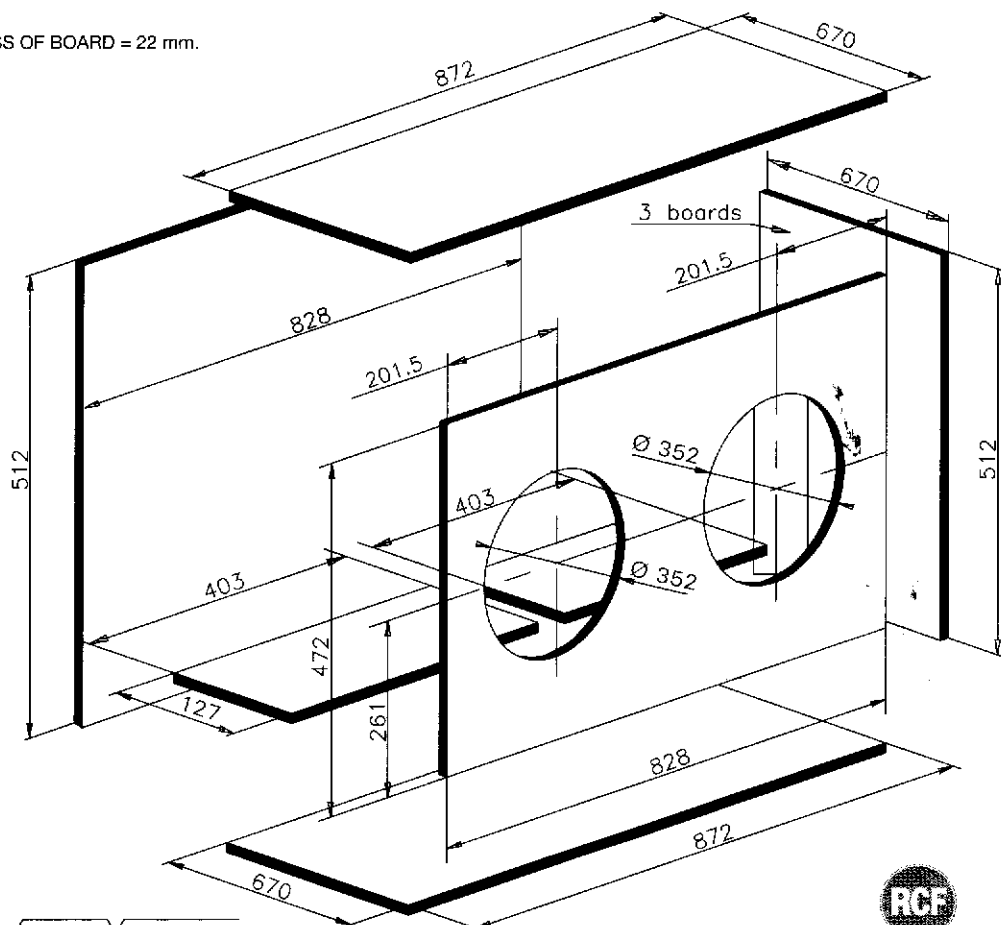
LOUDSPEAKERS AND CROSSOVERS USED

Low: 2 L15P/540 K
 Electric filter is advised

ENCLOSURE CONSTRUCTION

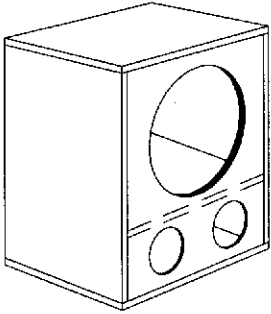
- Assembly: glue or screws
- Ensure internal reinforcement against vibration.

THICKNESS OF BOARD = 22 mm.



Pro Sound

KIT 1801 SUBWOOFER



SPECIFICATIONS

Power:	700/350 W
Type:	One-way
Frequency Response:	30 - 2.000 Hz
Sensitivity:	99,5 dB/W/m
Impedance:	8 Ohms
Max Sound Pressure Level:	128 dB SPL
Crossover Frequency:	150 Hz
Suggested Amplifier:	400 W 8 Ω

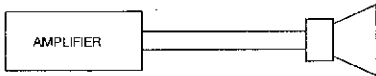
SPEAKERS AND CROSSOVERS USED

Low: L 18P/540K
 Electronic filter is recommended

ENCLOSURE CONSTRUCTION

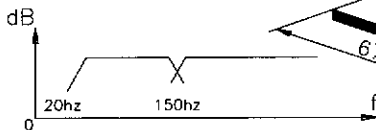
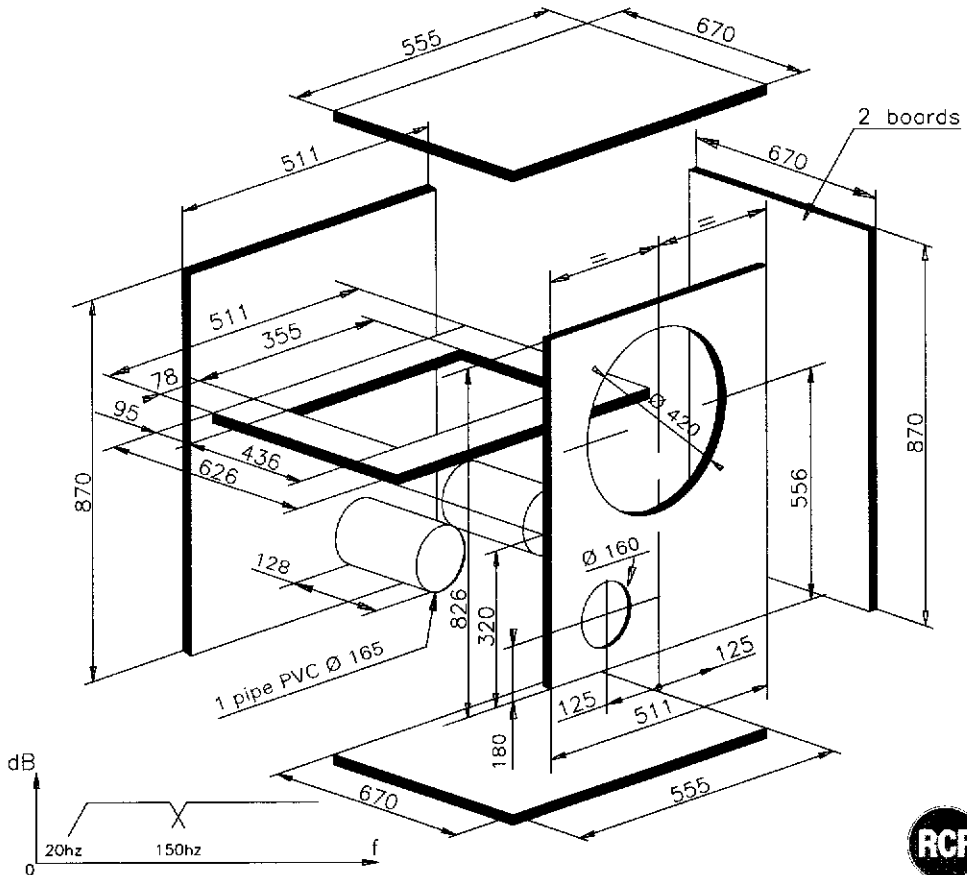
- Assembly: glue or screws
- Ensure internal reinforcement against vibration

CROSSOVER WIRING



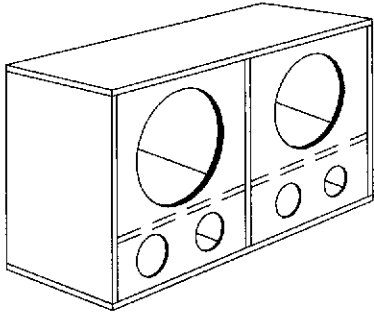
Wire directly

THICKNESS OF BOARD = 22 mm.

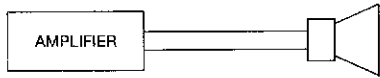


Pro Sound

KIT 1802 SUBWOOFER



CROSSOVER WIRING



Wire directly

THICKNESS OF BOARD = 22 mm.

SPECIFICATIONS

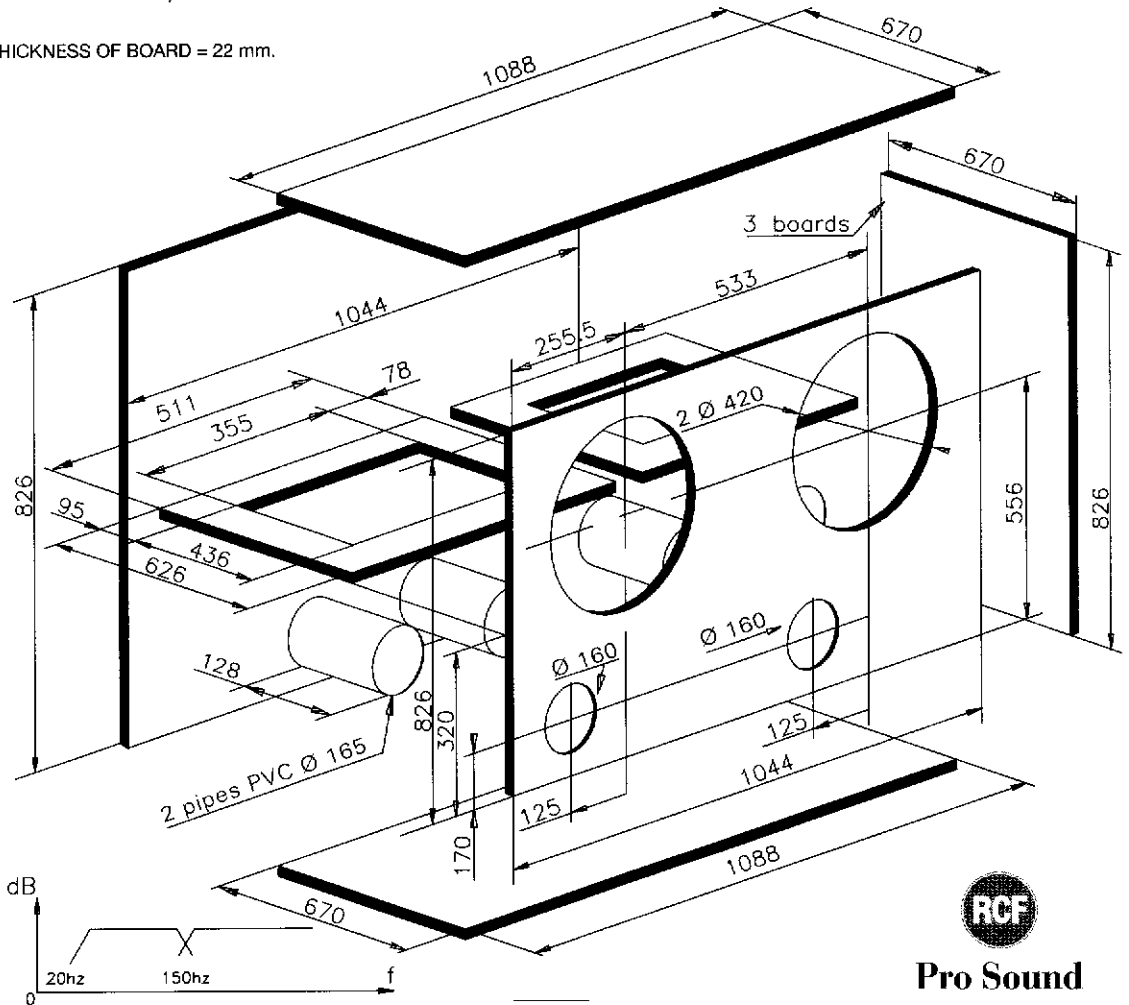
Power:	1400/700 W
Type:	One-way
Frequency Response:	30 - 2.000 Hz
Sensitivity:	102 dB/W/m
Impedance:	4 Ohms
Max Sound Pressure Level:	131 dB SPL
Crossover Frequency:	150 Hz
Suggested Amplifier:	800 W 4 Ω

SPEAKERS AND CROSSOVERS USED

Low: L 18P/540K
Electronic filter is recommended

ENCLOSURE CONSTRUCTION

- Assembly: glue or screws
- Ensure internal reinforcement against vibration



Pro Sound