

1 x 12" + horn trapezoidal mid/high enclosure

Application

This cabinet is designed to be used in groups, either stacked or flown, with a bass system. Crossovers to be 2/3 way electronic at nominal points of 180 Hz and 3,5 KHz. Upper point could be a passive filter.

Cabinet Type

Sealed enclosure with two volume options. Qts between 0,7 and 1,0.

Effective Volume

20 litres (0.7 cubic feet) or 60 litres (2.1 cubic feet)

Loudspeakers

20 litres enclosure:

PS 12/200 cone bass driver

PS 12/300 cone bass driver

ME 12/300 cone bass driver

BRC80 + PSD2002

pxii3k5 crossover

A = 285

B = 365

C = 174

60 litres enclosure:

ME 12/100LE cone bass driver

ME 12/200 cone bass driver

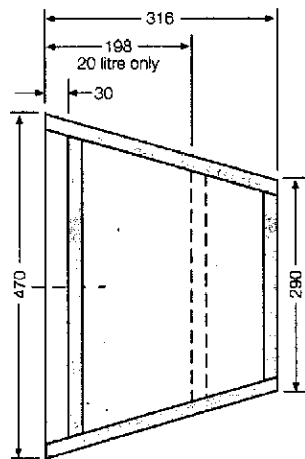
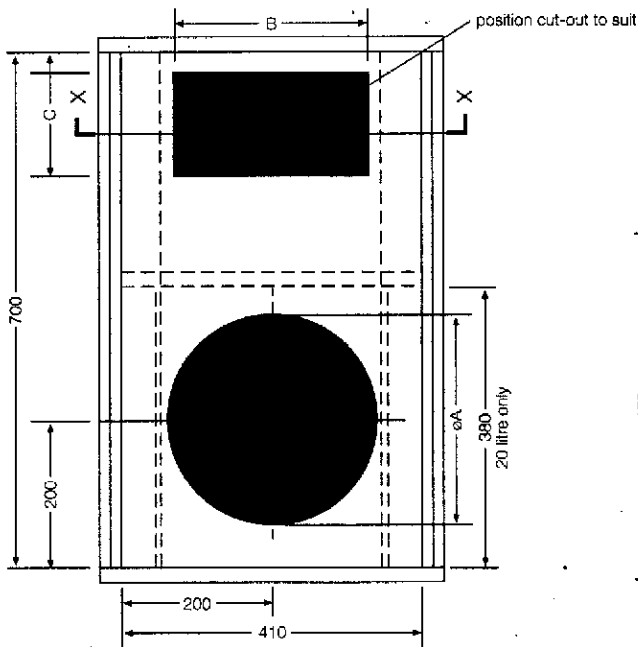
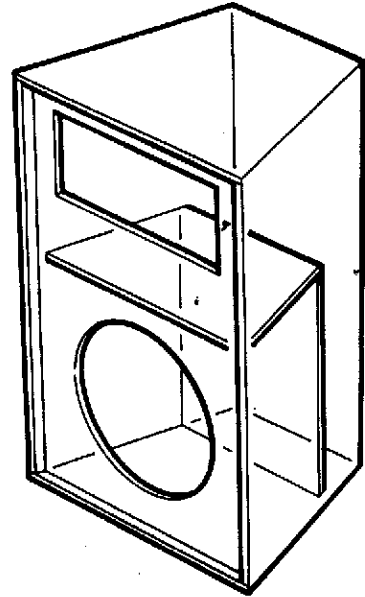
APT150 tweeter

pxii3k5 crossover

A = 285

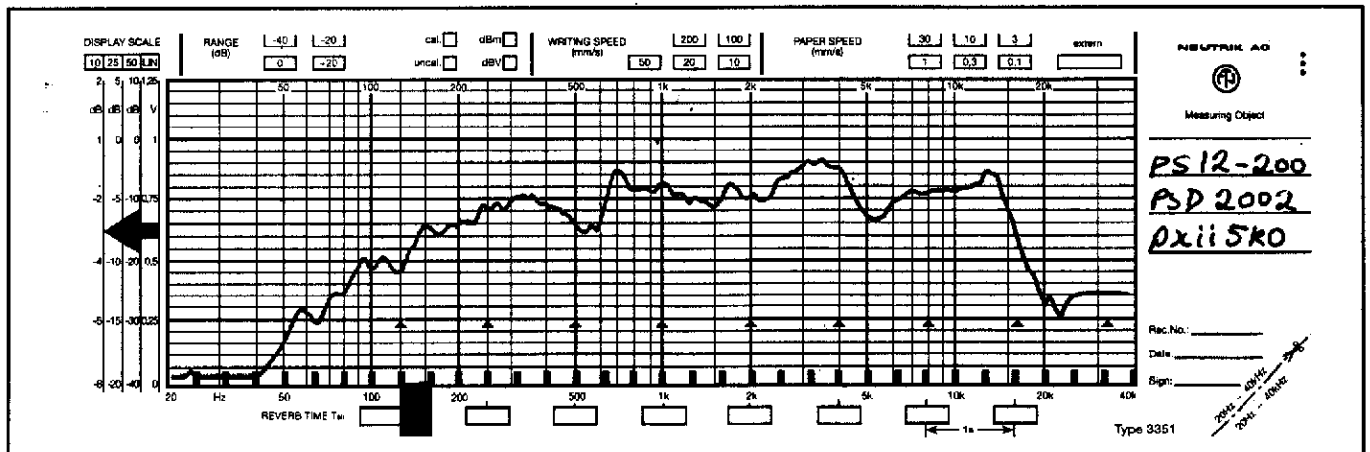
B = 170

C = 86



SECTION X-X

Sheet Material Requirements:
1,21 x 1,32 m (4.0' x 4.5')



PS12-200
PSD 2002
pxii5K0

Rec.No.:
Date:
Sign:
Type 3351

frequency response curve

5-way combined upper bass/mid/high enclosure

Application

A comprehensive cabinet, providing upper bass through to high frequencies, and to be used with bass horn bins for a compact medium projection system.

Cabinet Type

Dual front horn loaded bass drivers plus horn compartment.

Total Volume

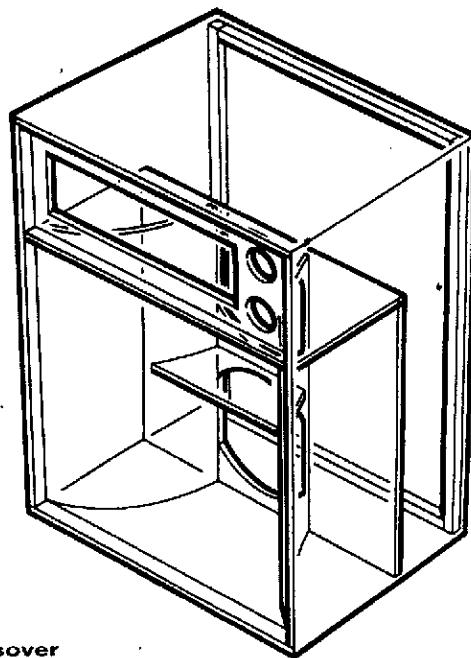
266 litres (9.4 cubic feet)

Effective Volume

130 litres (4.6 cubic feet)

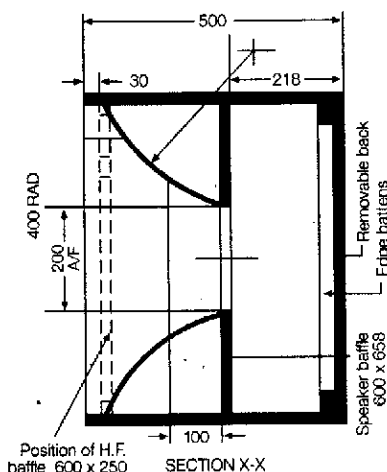
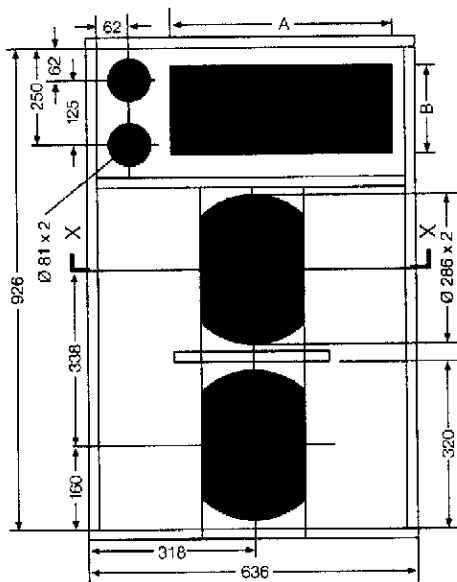
Loudspeakers

- 2 x PS 12/300 cone bass drivers
- 2 x PS 12/200 cone bass drivers
- 2 x ME 12/300 cone bass drivers
- 2 x ME 12/200 cone bass drivers
- LST1 horn A = 362 B = 140
- + PSD2002
- BRC80 A = 365 B = 174
- + PSD2002
- APT80 tweeter

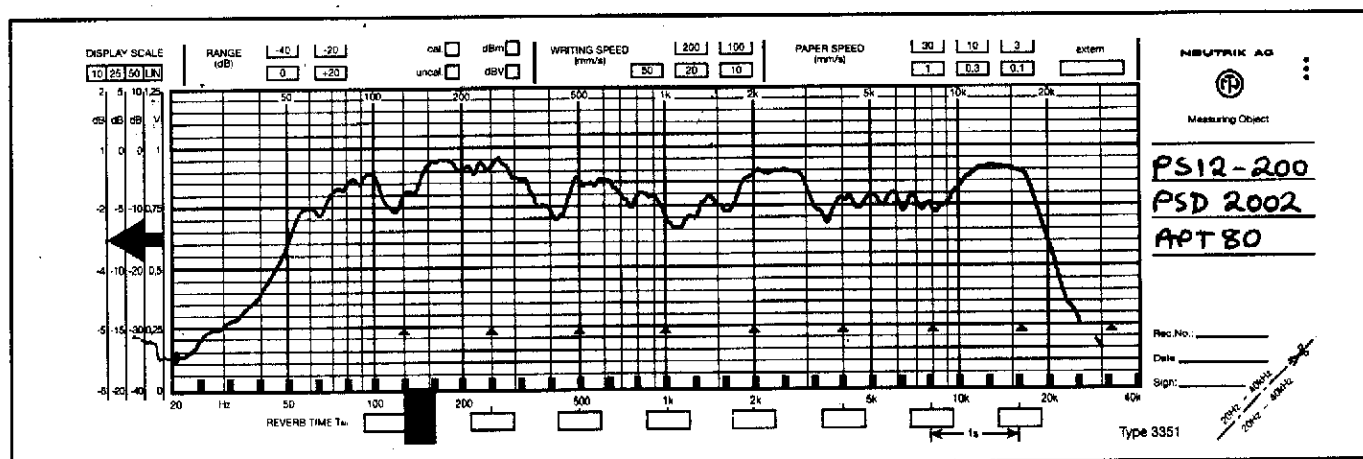


Crossover

- Recommended frequencies
- 150 - 250 Hz additional sub-bass
- 1,5 - 3,5 kHz
- 3,5 - 7 kHz



Sheet Material Requirements:
1,21 x 3,0 m (4.0' x 10.0')



frequency response curve

2 x 10" horn low profile angled mid/high enclosure

Application

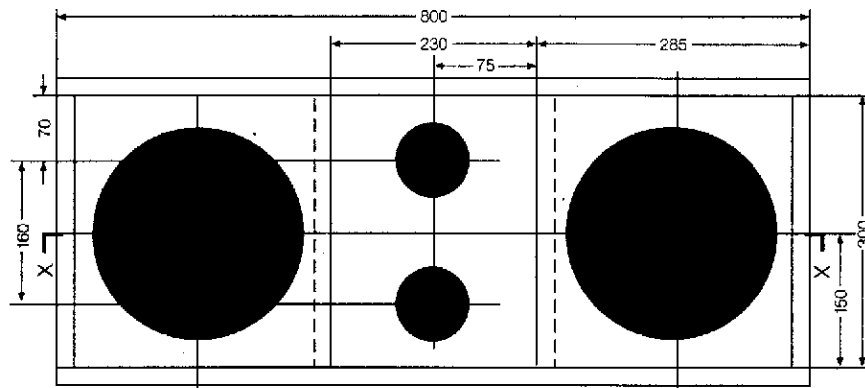
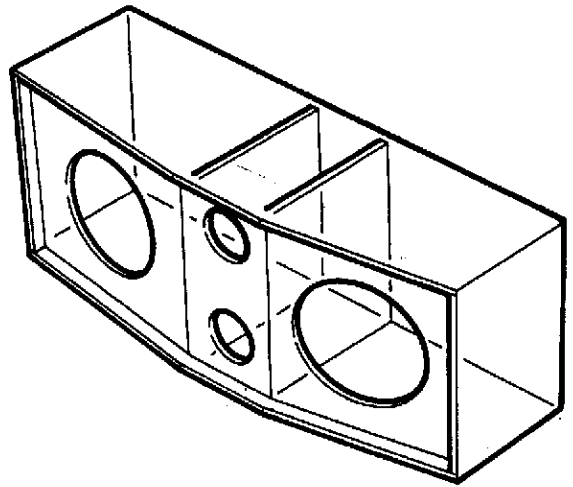
This compact, low profile cabinet is ideal for use in fixed installations where it can be conveniently suspended to accompany bass bins at floor level. The angled profile provides wide dispersion of the mid frequencies.

Cabinet Type

Sealed enclosure, each 10" driver in its own compartment.

Effective Volume

2 x 16 litres (0.6 cubic feet)



Loudspeakers

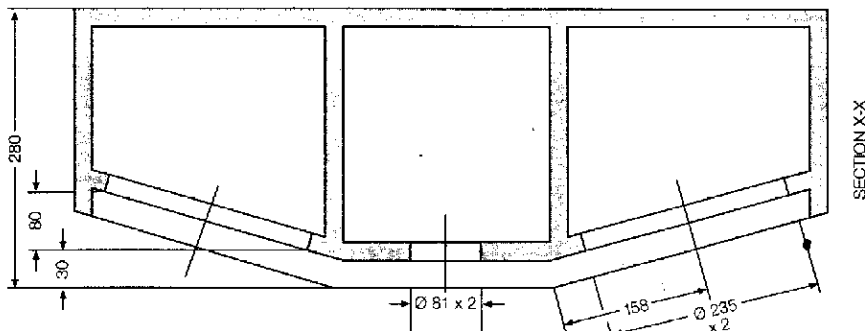
2 x PS 10/200 or
2 x ME 10/100 16Ω cone mid
drivers wired in series

2 x APT80

Crossover

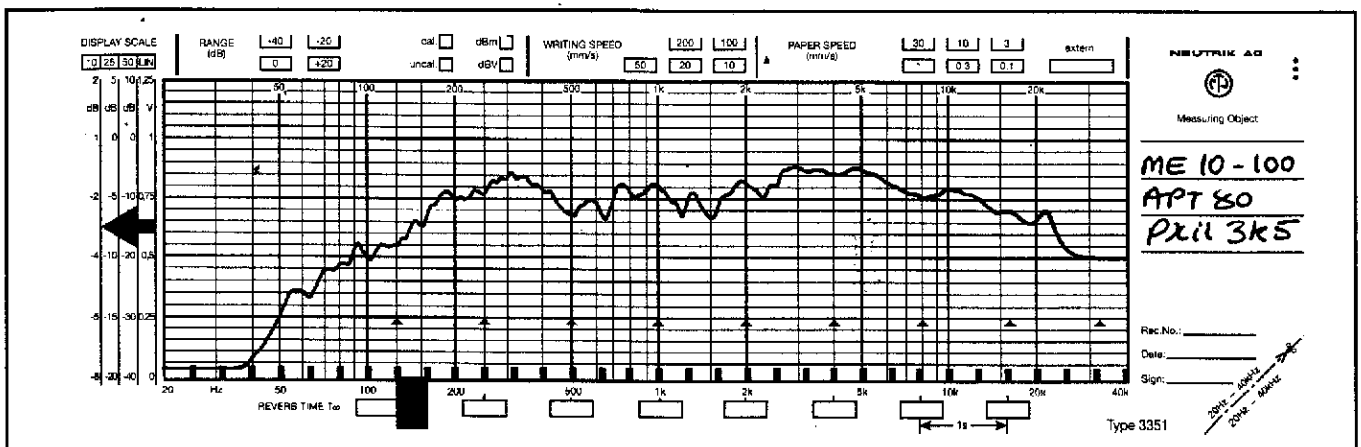
Bass/mid in the range 180 Hz to
300 Hz

crossover pxii 3k5



Sheet Material Requirements:

1,21 x 1,08 m (4.0' x 3.6')



frequency response curve

2 x 12 " + horn + tweeter angled full range or mid/high enclosure

Application

This high power compact cabinet is ideal for use in fixed installations as a mid/high enclosure when accompanied with bass bins, or as a reflex full range system. The 12" cone drivers are angled, and by using wide dispersion horns and tweeters, good, even coverage can be achieved.

Cabinet Type

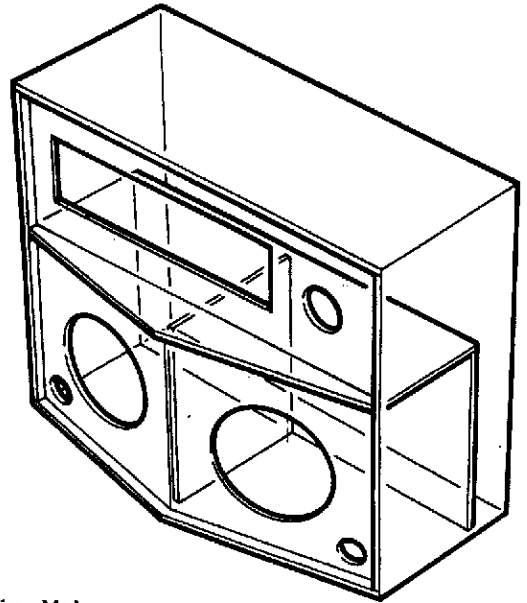
Either bass reflex or sealed box design.
Each 12" driver in its own compartment

Total Volume

170 litres (5.8 cubic feet).

Loudspeakers

Loudspeaker	A	B	use	notes
ME12-100LE		no port 2 x 90	mid/high fullrange	omit 35L divider omit false back
ME12-150	285	no port 2 x 90	mid/high fullrange	omit 35L divider omit false back
ME12-300	285	no port 4 x 90	mid/high fullrange	35L as shown omit false back
PS12-200	285	no port 4 x 90	mid/high fullrange	35L as shown omit false back
PS12-300	285	no port 2 x 90	mid/high fullrange	35L as shown omit false back

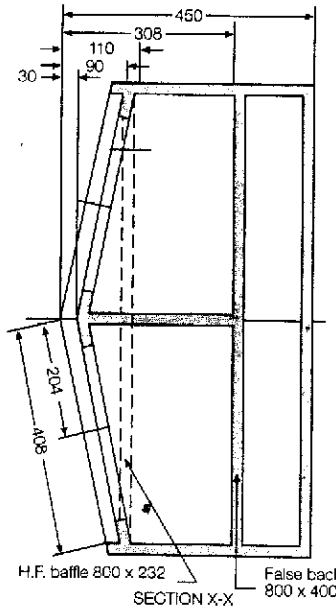
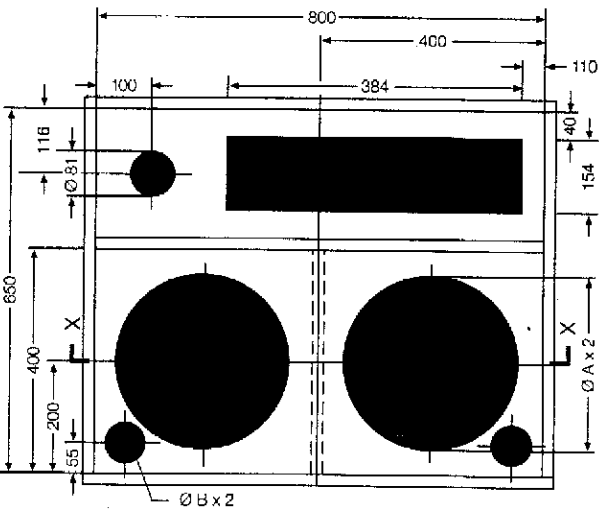


Effective Volume

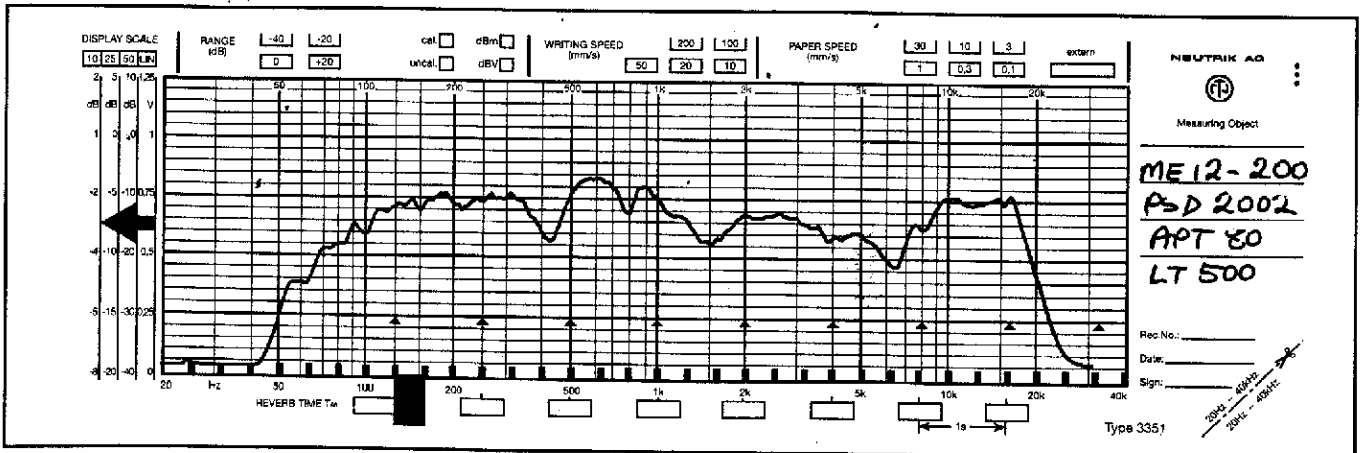
2 x 35 litres (1.2 cubic feet) or 1 x 70 litres (2.4 cubic feet)

Crossover

Bass/mid electronic in the range 180 Hz to 275 Hz.
Horn and tweeter LDX34 (2,5 KHz and 7 KHz).



Sheet Material Requirements:
1,21 x 2,43 m (4.0' x 8.0')



frequency response curve

2 x 15" horn large stage monitor

Application

This is the standard high power front of house wedge monitor for all full range stage applications.

Cabinet Type

Compact low profile design, bass reflex tuned to 50 Hz.

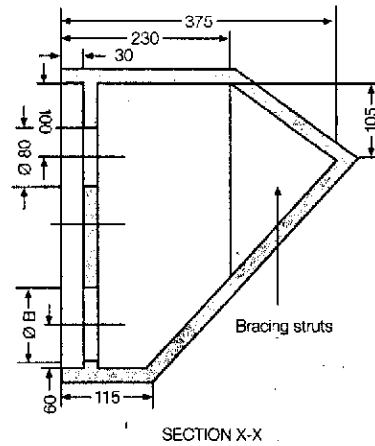
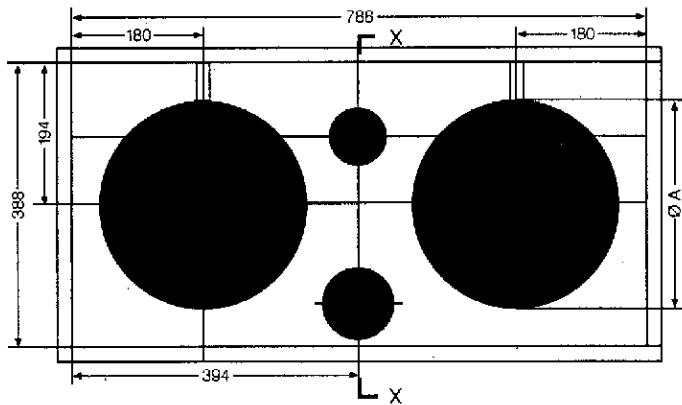
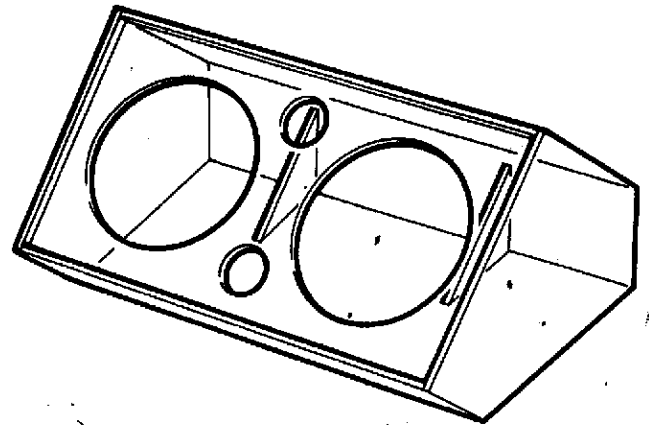
Effective Volume

60 litres (2.1 cubic feet)

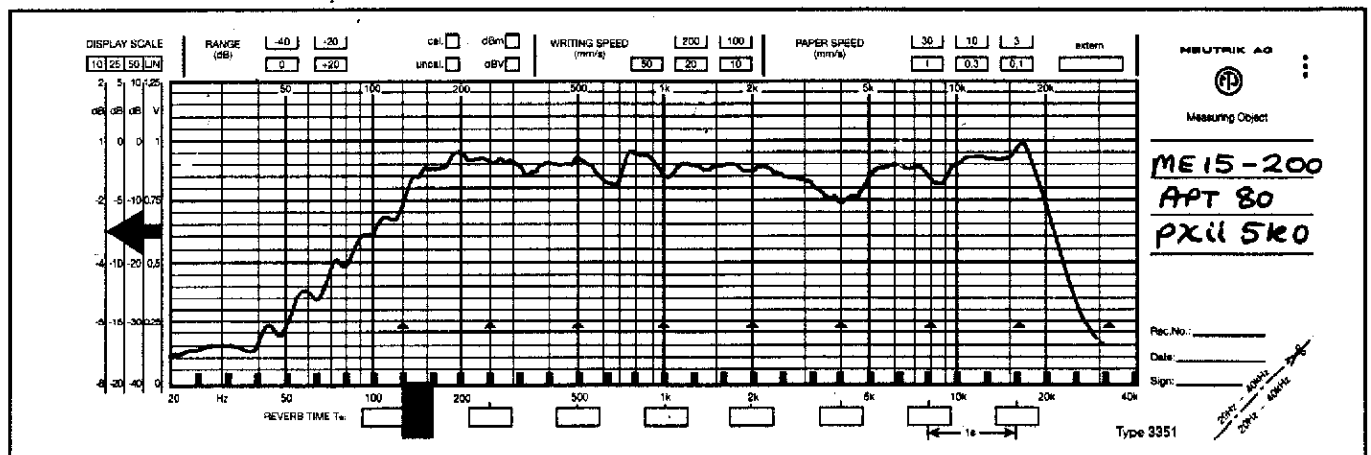
Loudspeakers

2 x PS 15/300 A = 360 B = 100
 or 2 x ME 15/200 A = 360 B = 65

APT80 tweeter with
 pxii 5k0 crossover



Sheet Material Requirements:
 1,21 x 2,43 m (4.0' x 8.0')



ME 15-200
 APT 80
 PXII 5K0

Rec.No.:
 Date:
 Sign:

Type 3351

frequency response curve